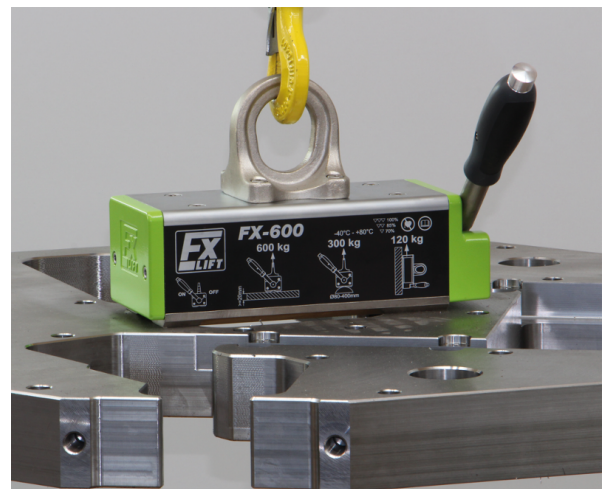
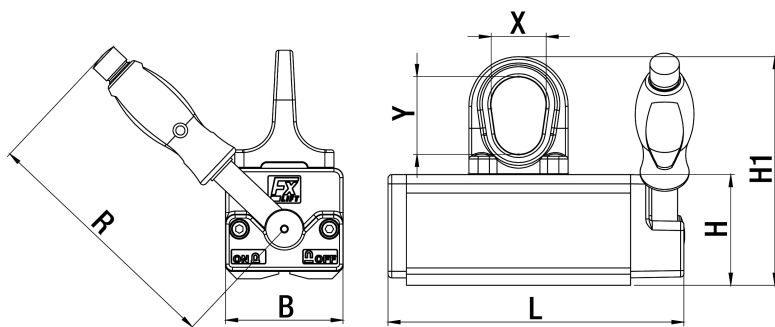


SERIES FX

Permanent magnetic lifters



- ✓ Monoblock stator and rotor.
- ✓ Suitable for round and flat material.
- ✓ 100% nickel plated.
- ✓ 3 years of warranty.
- ✓ 90° rotation of the lever.



MODEL	MAX LOAD CAPACITY (kg)		MAX LOAD CAPACITY FROM (mm)	DIMENSIONS (mm)						WEIGHT kg
	FLAT	ROUND		L	B	H	H1	R	X/Y	
FX 150	150	diam 50-200 mm 75 kg	8	161	64	60	124	136	30/42	3,6
FX 300	300	diam 50-300 mm 150 kg	15	205	87	78	158	190	42/53	8,4
FX 600	600	diam 80-400 mm 300 kg	20	288	112	94	189	228	51/62	19
FX 800	800	diam 80-400 mm 400 kg	20	348	112	94	189	228	51/62	23
FX 1000	1000	diam 100-450 mm 500 kg	25	361	152	120	240	261	60/76	42
FX 1500	1500	diam 100-450 mm 750 kg	25	485	152	120	240	261	60/76	61
FX 2000	2000	diam 120-600 mm 1000 kg	50	472	228	169	313	409	68/89	115
FX 3000	3000	diam 250-600 mm 1500 kg	50	648	228	169	313	534	68/89	166

Safety Factor 3,5 Test Method EN 13155 max. Operative Temperature 80°C