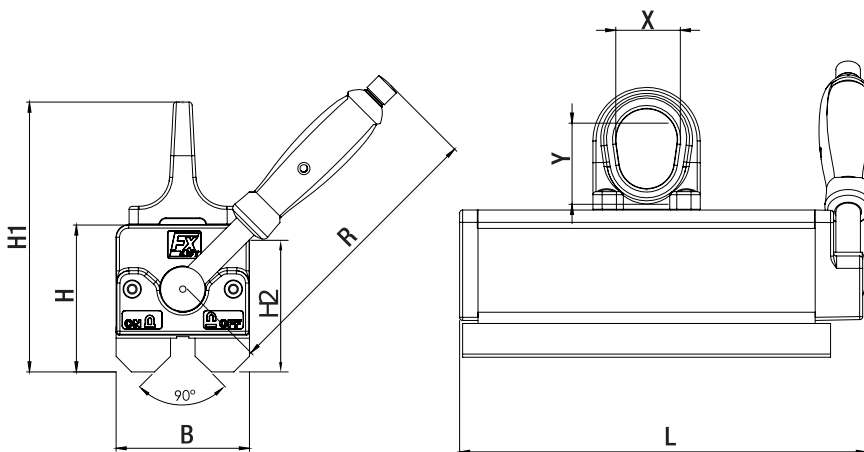


SERIES FX VV

Permanent magnetic lifters



- ✓ Monoblock stator and rotor.
- ✓ 100% nickel plated.
- ✓ Design for beams and profiles.
- ✓ 90° Prism for lifting curved profiles.
- ✓ Suitable for handling hot material up to 150 °C



MODEL	H2 (mm)	IPE	HEB
FX VV200	65	da 80	da 100
FX VV400	87	da 100	da 120
FX VV800	106	da 140	da 160

MODEL	MAX LOAD CAPACITY (kg)			MAX LOAD CAPACITY FROM (mm)	DIMENSIONS (mm)					WEIGHT kg	
	FLAT	ROUND	90°		L	B	H	H1	R		X/Y
FX VV200	200	diam 20-50 mm 100 kg	100 - 120	10	195	64	77	141	134	30/42	5.5
FX VV400	400	diam 25-60 mm 200 kg	200 - 250	15	265	87	96	176	188	42/53	13
FX VV800	800	diam 35-75 mm 300 kg	300 - 400	20	352	112	115	210	228	51/62	28

Safety Factor 3.5 Test Method EN 13155 max. Operation temperature 150°C