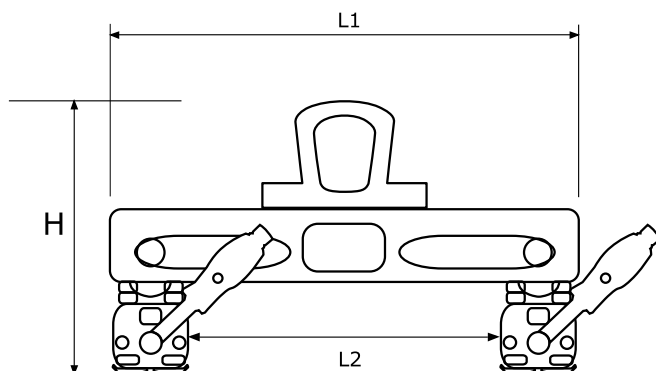


# SERIES FX KT Small Beam

Permanent magnetic lifters



- ✓ Lifting magnets can be easily dismounted
- ✓ 2 lifting magnets and eyelet included
- ✓ Same truss can be adapted to the needs through pins
- ✓ Ideal for metal sheets and laser cutting



MODEL	Incl 2x FX	MAX LOAD CAPACITY		DIMENSIONS (mm)			WEIGHT kg
		(kg)	from (mm)	L1	H	L2	
FX KT 240-260	FX 150	240	8	400	233	58-260	15
FX KT 240-420	FX 150	240	8	560	233	58-420	15
FX KT 240-470	FX 150	240	8	607	233	58-470	20
FX KT 240-540	FX 150	240	8	680	233	58-540	22
FX KT 480-440	FX 300	480	15	620	269	65-440	26
FX KT 480-600	FX 300	480	15	800	269	65-600	30
FX KT 480-800	FX 300	480	15	1000	269	65-800	32

Safety Factor 3.5 Test Method EN 13155 max. Operation temperature 80°C