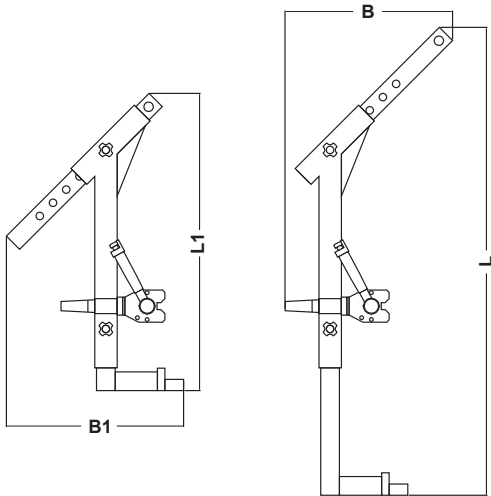


SERIES FX HV Horizontal-Vertical system

Permanent magnetic lifters

- ✓ Pins can adjust the total height
- ✓ Special crane eyelet on the back
- ✓ Totally powder coated surface
- ✓ Special dimensions available on request



MODEL	MAX MATERIAL DIMENSION (mm)		MAX LOAD CAPACITY		DIMENSIONS (mm)				WEIGHT kg
	FLAT	ROUND	WITH STOP (kg)	WITHOUT STOP (kg)	L	B	L1	B1	
FX HV 200	2000x750	diam 250-750	200	40	1000	400	715	390	24
FX HV 400	2000x100	diam 400-1000	400	80	1250	450	795	475	31
FX HV 800	2500x125	diam 500-1200	800	160	1500	500	1040	520	64
FX HV 2000	2500x125	diam 500-1200	2000	400	1800	600	1200	650	250
FX HV 3000	2500x125	diam 500-1200	3000	600	1800	600	1200	650	320

Safety Factor 3.5 Test Method EN 13155 max. Operation temperature 80°C