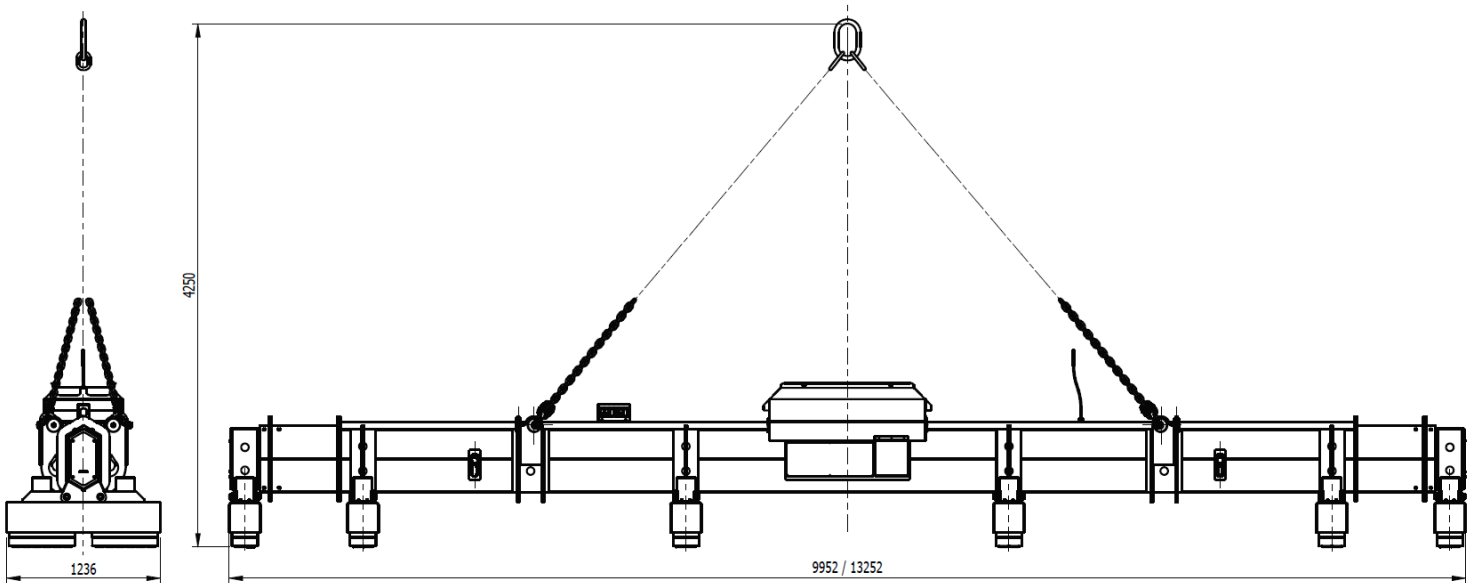


TELESCOPIC BEAM VT-M6

Electro-permanent magnetic lifting system

- ✓ EXAGONAL TUBULAR FRAME
- ✓ EYELET SENSOR SAFETY DEVICE
- ✓ SIGNAL LAMPS
- ✓ HYDRAULIC MOTOR
- ✓ SIX CROSS BEAMS EQUIPPED WITH TWO EPM MAGNETS
- ✓ ON BOARD CONTROLLER + REMOTE RADIO CONTROL
- ✓ HANGING CHAINS FOR SINGLE AND DOUBLE PULL
- ✓ FOUR ADDITIONAL HOOKS CAPACITY 4500 KG. EACH



VT-M6 Series For Steel Plates Handling					
MODEL	WEIGHT (kg)	MAX DIMENSIONS (mm)		Mat. Thickness (mm min)	MAX LOAD (kg)
		L (min-max)	B (min-max)		
VT-M6/140	4.100	3.000 - 16.000	500 - 3.500	5	14.000
VT-M6/180	4.100	3.000 - 16.000	500 - 3.500	5	18.000
VT-M6/220	4.350	3.000 - 16.000	500 - 3.500	5	22.000
VT-M6/260	4.350	3.000 - 16.000	500 - 3.500	8	26.000

