

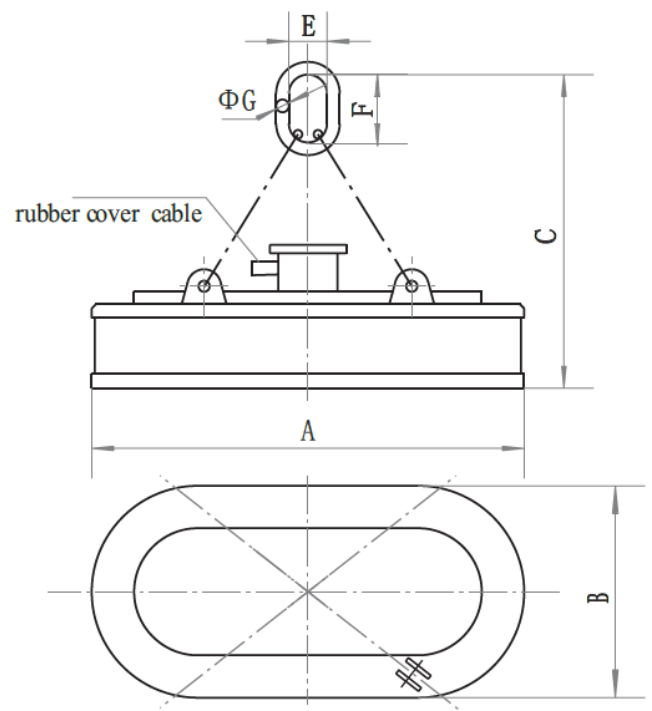
# SERIES MW61 OVAL

Electromagnets for steel scraps



✓ Suitable for cast ingot, steel ball, pig iron, machine chip, for various kinds of steel scraps, return scraps, cropping, baling scraps and etc..

✓ Rated Voltage DC -220V



Suitable for efficiently loading and unloading steel scraps in narrow containers and is called an oval-shaped electromagnet due to its special structural shape.

MODEL	Cold state Power kW	Current A	DIMENSION (mm)						Load Capacity (Ingots) kg	WEIGHT kg
			A	B	C	F	E	G		
MW61 240L	40,1	181,9	4000	2400	1600	350	200	65	7000/6000	15600
MW61 160L	30,36	138	3800	1600	2380	410	260	90	6000/5000	9700
MW61 220L	42,5	193	3500	2200	1955	400	300	90	6000/5000	12000
MW61 210L	34,5	157,1	3000	2100	1810	400	250	80	5000/4000	10500
MW61 150L	28	127,2	3000	1500	1550	390	210	70	3500/2800	7660
MW61 200L	24,6	136,5	2500	2000	2000	390	280	90	5000/4200	8400
MW61 160L	29,2	133	2500	1600	1700	310	210	60	4800/3900	7500

Altri modelli su richiesta