

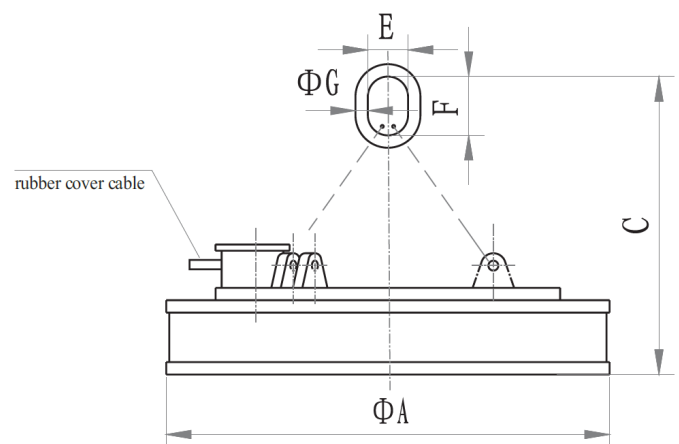
SERIES MW CIRCULAR

Electromagnets for steel scraps



- ✓ Suitable for cast ingot, steel ball, pig iron, machine chip, for various kinds of steel scraps, return scraps, cropping, baling scraps and etc.
- ✓ To be used in foundry factories and for iron powder in coal washery.

During slag disposal process, it can remove large size of iron at initial step. Outlet box has two chambers, an extra-thick fender and an anti-twist setting. There are three excitation options: rated voltage DC220V; strong excitation; overexcitation.



MODEL	Cold state Power	Current A	DIMENSIONS (mm)					Lifting Capacity (Ingots) kg	WEIGHT kg
			A	C	F	E	G		
MW5 50L	2.6	11.8/7.7	500	700	160	90	25	220/130	220
MW5 60L	3.0	13.6/8.9	600	750	160	90	25	290/170	340
MW5 70L	3.3	15/8.9	700	800	160	90	30	380/200	490
MW5 80L	4.0	18/12	800	800	160	90	30	480/250	620
MW5 90L	5.9	26.8/17.5	900	1090	200	125	40	600/400	800
MW5 110L	7.7	35/22.8	1100	1140	220	150	45	1000/800	1350
MW5 120L	10	45.5/29.5	1200	1100	220	175	50	1300/1000	1700

Other models available on request