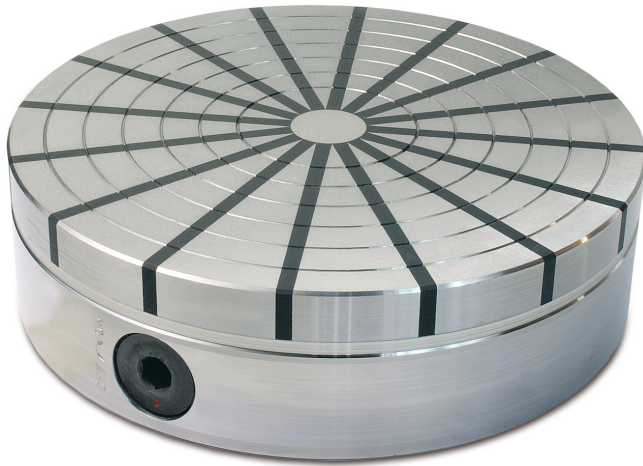


Permanent magnetic chucks RS

RADIAL POLARITY

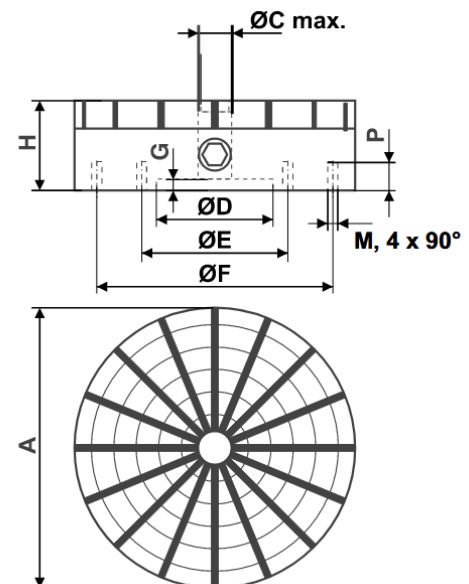


- ✓ Material: NdFeB, steel.
- ✓ Radial polarity.
- ✓ Holding Force: ca 140 N/cm²
- ✓ Magnetic Flux Height ca. 10 mm

The circular magnetic chuck of RS type with radial polarity is used primarily to hold strong circular elements and rings.

They can be used for high speed turning operations.

Magnetic force is adjustable at different levels.



| MODEL | Dimensions (mm) | | | | | | | Holes | Poles | Weight kg | V-Max u/Min |
|-------|-----------------|-----|-----|-----|-----|-----|---|-------|-------|-----------|-------------|
| | A | H | C | D | E | F | G | | | | |
| RS 13 | 130 | 57 | 15 | 50 | -- | 100 | 5 | M6 | 10 | 6 | 1000 |
| RS 15 | 150 | 57 | 23 | 50 | 80 | 120 | 5 | M6 | 10 | 8 | 1000 |
| RS 20 | 200 | 57 | 25 | 60 | 110 | 180 | 5 | M6 | 12 | 13 | 800 |
| RS 25 | 250 | 70 | 30 | 80 | 140 | 220 | 5 | M6 | 16 | 24 | 700 |
| RS 30 | 300 | 73 | 38 | 150 | 180 | 260 | 6 | M8 | 16 | 36 | 700 |
| RS 35 | 350 | 73 | 40 | 170 | 220 | 300 | 6 | M8 | 20 | 48 | 600 |
| RS 40 | 400 | 75 | 40 | 200 | 260 | 340 | 8 | M8 | 20 | 64 | 500 |
| RS 50 | 500 | 88 | 50 | 200 | 300 | 400 | 8 | M8 | 24 | 106 | 400 |
| RS 60 | 600 | 88 | 90 | 250 | 350 | 450 | 8 | M10 | 30 | 150 | 400 |
| RS 70 | 700 | 88 | 90 | 250 | 350 | 450 | 8 | M10 | 30 | 234 | 300 |
| RS 80 | 800 | 110 | 100 | 350 | 400 | 700 | 8 | M10 | 30 | 300 | 300 |

Other dimension on request